

Low Frequency Sounder Base

FW2508



Overview

The Maple Armor Sounder Base offers 520 Hz low frequency audible output to the addressable detector, bases can function as standalone local alarms or integrate into a zone or system alarm, providing synchronized audible output.

This base is engineered to operate with the Series 2 Smoke and Heat detector heads; it does not take an address on SLC.

It provides multiple tone patterns required by NFPA 72 for commercial and residential applications, each with three selectable sound output levels, and could be configured via programming.

Features

- Modern design
- Easy and fast installation
- Code-compliant 520 Hz output.
- Single or group operation
- Three selectable horn output levels
 - Low
 - Medium
 - High
- Six Selectable horn patterns
 - Temporal 3
 - Temporal 4
 - Steady
 - March time 20 bpm
 - March time 60 bpm
 - March time 120 bpm
- Listed for Wall and Ceiling mounting
- Fits on a North American single-gang and octagon electrical boxes
- Available in White
- Meets NFPA 72 codes

Compatibility

- The FW2508 Sounder detector base is compatible with Maple Armor Series 2 FW2105 and FW2107 Fire Alarm Control Panels and FW2511 and FW2521 Detectors.

Note: refer to each panel data sheet for more information.

Operation

- This base uses the same address and programming as the detector it supports

Synchronization Sources

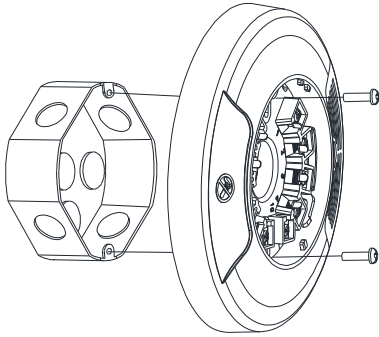
- Maple Armor FW2105 and FW2107 Fire Alarm Control Panels

Field Configuration

- This base uses the same address and programming as the detector it supports
- The Sounder base comes pre-set to a high sound output level
- Sounder parameters (tone pattern and sound volume) are configured via panel programming or handheld programmer.

Installation

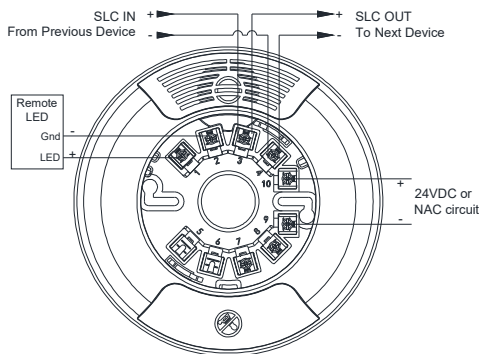
All Series 2 Sounder Bases mount to any standard North American single-gang or octagon electrical boxes.



Note: See installation and wiring instructions for more information.

Wiring

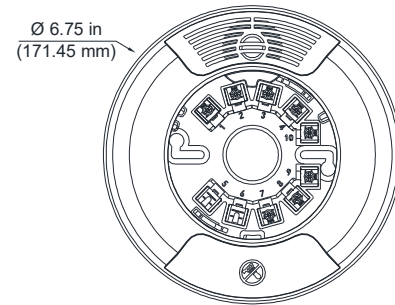
Field wiring is to be completed using the terminal screws on the back of the appliances, and it can accommodate #18 to #12 AWG (0.82 mm² to 3.31 mm²).



Note: The installation must be performed in accordance with the latest applicable codes and standards

Dimensions

FW2508 Dimension



Sound Output

ULC Directional Sound Characteristics

Axis	Angle	OSPL (dBA)
Horizontal	0° (ref)	0 (ref)
	± 55°	- 3 dBA
	-	- 6 dBA
	± 90°	- 5 dBA
Vertical	0° (ref)	0 (ref)
	± 80°	- 3 dBA
	-	- 6 dBA
	± 90°	- 4.3/-1.4 dBA

Sounder Base - Sound Output

Volume	UL 464 / ULC-S525 Reverberant
High	80
Medium	76
Low	72

Current Draw

Volume	High	Medium	Low
NOU RMS Operating Current (mA)	164	80	36
SLC Standby Current with detector head (mA)	0.75	0.75	0.75
SLC Alarm Current with detector head (mA)	0.77	0.77	0.77

Specifications

Operating Voltage	16 to 33 VDC (regulated 24VDC)
SLC Operating Voltage	15.3 to 28 VDC
Operating Temperature	32°F to 120°F (0°C to 49°C)
Operating Humidity	0% to 93% RH Non-condensing
Horn Pattern	Temporal 3, Temporal 4, Steady, 20 bpm, 60 bpm, 120 bpm
Installation Environment	Dry indoor use only, Wall and Ceiling mount
Material	High impact plastic
Wire Size	18 to 12 AWG (0.82 mm ² to 3.31 mm ²)
Compatible panels	FW2105 Fire alarm Control Panel FW2107 Releasing Panel
Compatible Detector Heads	FW2511 Smoke Detector FW2521 Heat Detector
Regulatory Compliance	UL/ULC, FCC, CSFM

Ordering Information

Model	Description	Ship Wt. Kg (lbs)
FW2508	Low Frequency Sounder Base for Detectors	0.260 (0.573)
Accessories		
FW2561-RI	Remote LED Indicator	0.125 (0.276)

*Accessories are ordered separately.



This document is for marketing and informational purposes only. It is not intended to be used for installation, operation, or maintenance of the device.

Contact us

Phone: 029-8110-0119
Email: information@maplearmor.com
Website: www.maplearmor.cn
© Maple Armor 2025 | All rights reserved.

For complete and accurate installation instructions, wiring details, and operational guidelines, refer to the official Device Installation Sheet provided with the product. The manufacturer reserves the right to make changes to product specifications without prior notice.