

Remote LED Annunciator

FW129



DESCRIPTION

The FW129 LED Annunciators are used to display zone events which are from the fire alarm control panel. The FW129 is equipped with glass protection door and key. The zone messages can be changed by sliding in a paper strip. The annunciator is supplied with a PC board, trouble buzzer, cable and terminals.

The FW129 is provided with 30 zones (2 LEDs + 1 button / zone) for alarm/ audible/trouble events display & control. It also comes with 35 zones (2 LEDs / zone) for alarm/audible/trouble events display. The control part of the annunciator provides information led (power, generic trouble, signal silence, ground fault) & audible on status. There are buttons to operate local buzzer silence, signal silence, lamp test and events reset.

Communication with the fire alarm panel is via a CAN bus (individual address). The annunciator requires an external 24 V DC power source from the panel or local ULC power supply.

ATTENTION

Products must be installed per the National Fire Alarm Code, NFPA 72, CAN / ULC-S524, and/or National Electrical Code, depending on the country of the installation. Check the information on equipment used in the system from other manufacturers for instructions and restrictions. The detector should never be installed in the following places: where there is a lot of exhaust gas, kitchens, near fireplaces, boilers, etc. Smoke detectors should not be used with detector guards unless the suit has been evaluated and approved for this case.

NOTE

Do not paint this unit.

Any material extrapolated from this document or Maple Armor's instructions or other materials describing the product for promotional or advertising purposes, or for any other purpose, including the description of the application, the use, installation and testing of the product is the sole responsibility of the user. Maple Armor assumes no responsibility for the use. In no event shall Maple Armor's liability exceed the purchase price of the product.

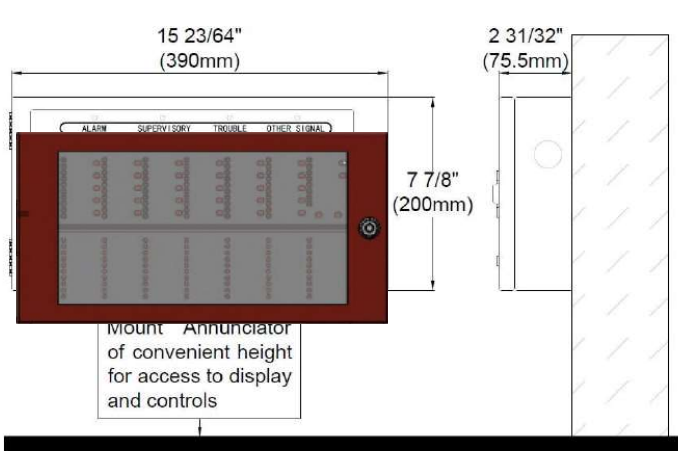
DISPLAY AND KEYS

LEDs	Color	Status	Functions
ZoneLED	Red	steady On	Indicates ZONE device alarm exists, acknowledged
		Flashing	Indicates ZONE device alarm exists, not acknowledged
		off	Indicates no ZONE device alarm exist.
	Yellow	steady On	Indicates ZONE device fault exists, acknowledged
		Flashing	Indicates ZONE device fault exists, not acknowledged
		OFF	Indicates no ZONE device fault exist.
Trouble	Yellow	steady On	Indicates FW129-R generic fault exists, (e.g. grounding trouble, CAN trouble...)
		Off	No trouble
Ground Trouble	Yellow	steady On	Indicates FW129-R grounding trouble exists
		Off	No grounding trouble
Audible On	Red	On	Indicates at least one ZONE device in Audible On status.
		Off	No Audible On
Power (general)	Green	On	Running with power.
		Off	No power

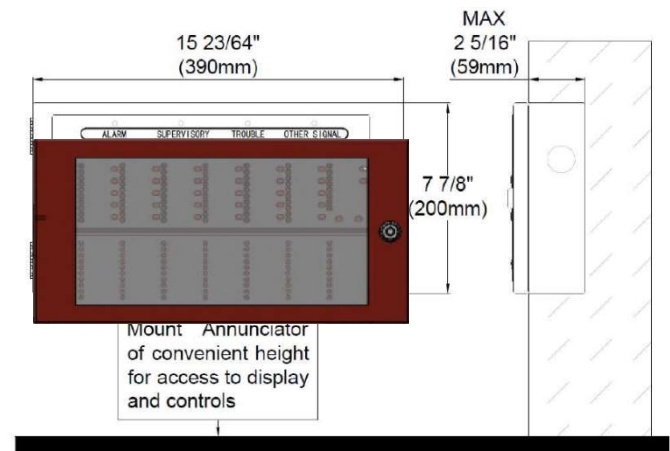
Keys	Functions
Silence	Silence local buzzer once it sounds.
Test	Test the LEDs and local buzzer on this LED ANN
Reset	Reset FACP and LED Ann to quiescent condition
Audible Silence	To Silence Zone NAC activated.
Zone key	Active / De-active the NAC's in the zones config the key inside as "Audible active".
	Acknowledge events in the zones (config the key inside as "Acknowledge").

INSTALLATION

The cabinet can be surface-mounted or flush-mounted. The mounting space is shown below.

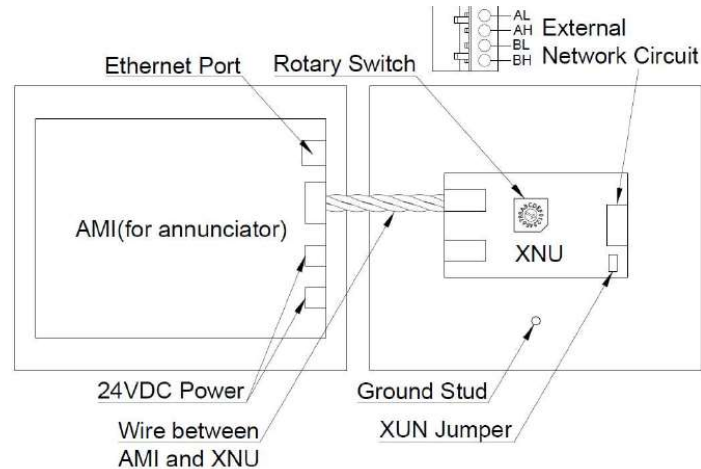


(a) Surface mounting



(b) Flush mounting

WIRING CONNECTION



SPECIFICATION

FW129	
External power source	24 VDC (power by FACP or local ULC source)
Connection terminal	14-18 AWG
Quiescent current	33 mA
Activation current	48 mA
Operating Temperature	32°F to 120°F (0°C to 49°C).
Operating Humidity	0% to 93% RH (40+/- 2C)
Housing Colour	Red/Grey with a window cover
Dimension	390 mm (L) x 75.5 mm (W) x 200 mm (H)
Weight (with base)	2.6 kg
Operating location	Inside dry
Storage temperature	14 to 140 F (-10 to 60 C)

CATALOGUE NUMBER TO ORDER

Model	Description
FW 129(R)	Remote LED Annunciator Red color enclosure with <i>English</i> silkscreen with a lockable door
FW 129C(DG)	Remote LED Annunciator Dark Gray color enclosure with <i>French</i> silkscreen with a lockable door
FW 431(R)	Red color trim ring for FW122/FW123/FW129
FW 431(DG)	Dark Gray color trim ring for FW122/FW123/FW129