

## FW2121 LCD Annunciator



### DESCRIPTION

Model FW2121 Remote LCD Annunciator is UL listed according to UL 864 and ULC-S527 for Fire Alarm Systems for indoor use (pending).

The FW2121 has a LCD display with 320x80 resolutions, 9 navigation keys and 9 LED indicators making it the most intuitive fire-alarm user interface.

In total, up to 32 annunciators can be connected to the FW2105 FACP to form a fire emergency detection and notification network system. Refer to DOC-FW2105-UM for more details.

### ATTENTION



The products must be installed in accordance with NFPA 72, CAN/ULC-S524, and/or Canadian Electrical Code depending on country of installation.

Check information of equipment used in the system by other manufacturers for any guidelines or restrictions.

### NOTE

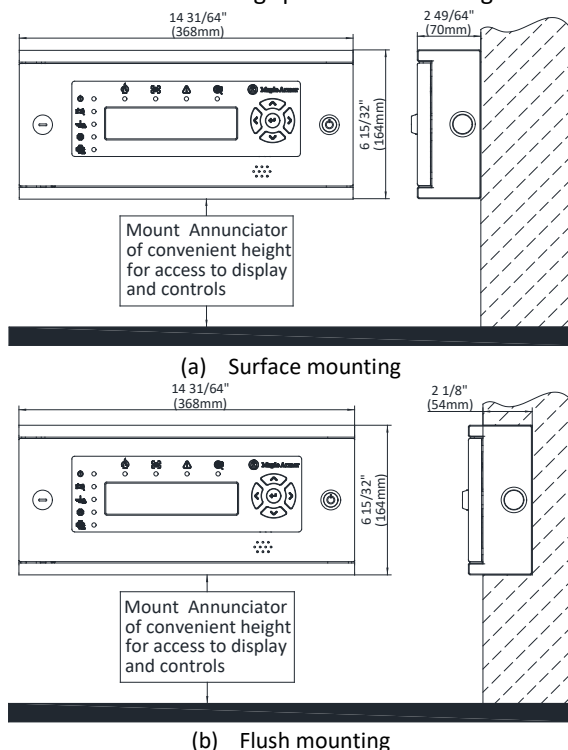
Any material extrapolated from this document or from Maple Armor's instructions or other documents describing the product for use in promotional or advertising claims, or for any other use, including description of the product's application, operation, installation, and testing is the sole responsibility of the user. Maple Armor will not assume any liability for such use. In no case will Maple Armor's liability exceed the purchase price paid for a product.

### SPECIFICATIONS

<b>Operating Voltage</b>	24VDC
<b>Standby Current</b>	8mA
<b>Alarm Current</b>	10mA
<b>Operating Temperature</b>	32°F to 120°F (0°C to 49°C)
<b>Operating Humidity</b>	Up to 93% @ 90°F (32°C)
<b>Location</b>	Indoor dry

### MOUNTING SPACE

The cabinet can be surface-mounted or flush-mounted. The mounting space is shown in figure 1.



(b) Flush mounting  
**Figure 1. Mounting space**

## INSTALLATION

1. Select a clean, dry, shock and vibration free surface in a protected environment.
2. Position the cabinet clear of obstructions so that the door opens freely and the controls and indicators are easily accessible.
3. Mark the locations of the two upper mounting bolts of the cabinet on the wall.
4. Drill the two holes located in the previous step and screw in the top bolts, leaving a small gap between the wall and each top bolt.
5. Place the cabinet over the two top bolts and allow it to slide down over the bolts.
6. Mark, drill, and install the two bottom bolts in the cabinet.
7. Tighten all four bolts securely against the back wall of the cabinet.

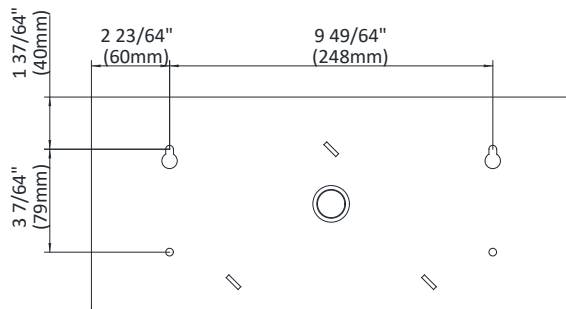


Figure 2. Installation Size

8. Connect the annunciator onto panel's network unit. See Figure 3. Panel's Annunciator Network Unit supports Class A and Class B style and can address up to 32 remote annunciators.

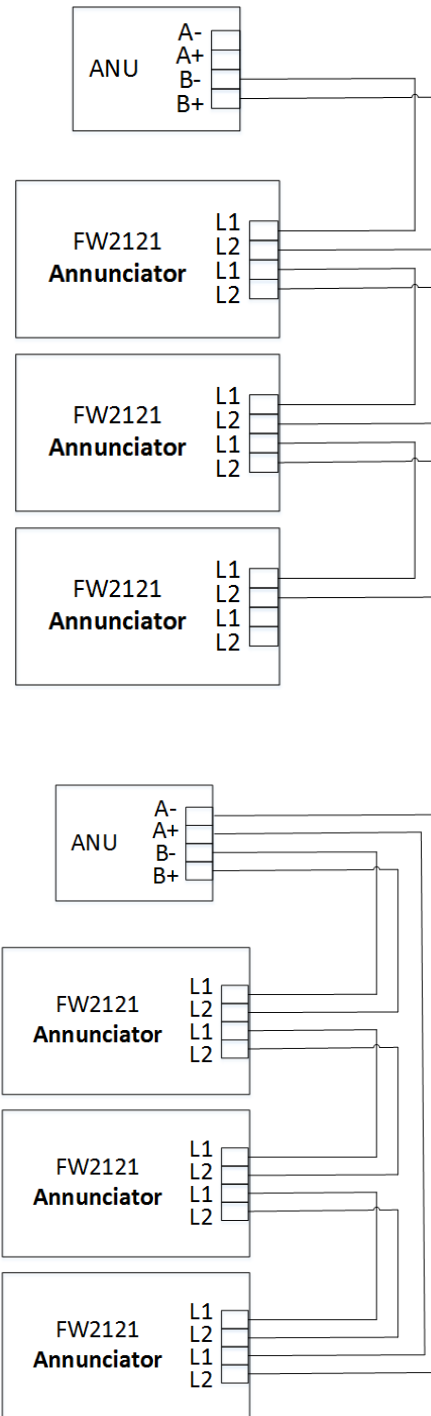


Figure 3. Annunciator Network Unit Wiring